

FEATURES

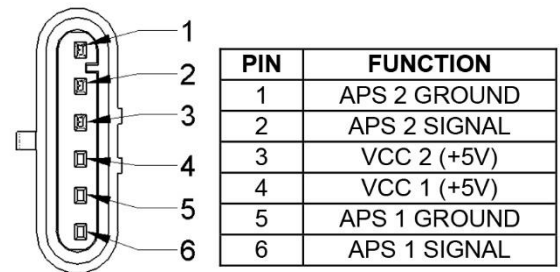
- 20° Angular Rotation
- Non-Contact Hall Effect Sensor
- Dual APS Output
- Electronics IP66 Sealed
- +5V Operation
- -40°C to + 85°C Operation
- AMP 6-Pin Connector



APPLICATIONS

- Throttle Control Pedal
 - Commonly Used with Bosch 6.1 ECU
- Compliant with US Standards FMVSS-124 and FMVSS-302

Connector Pin Configuration:



Mating connector:

Tyco Electronics/ AMP Part - 282108-1

DESCRIPTION

135189 is a suspended, electronic pedal assembly that provides a throttle control signal in response to a driver's input. The pedal employs a sensor that outputs two electrical signals proportional to the angular displacement of the pedal

CURTISS - WRIGHT	PROCEDURE NAME:	DEPT:	030				
	Williams Customer Specification Form						
DOCUMENT NUMBER:	WQF-030-021	Revision Level	A	Date Effective	11/13/07	DAF#	00396
QEMS Representative	Mary Knight	Process Owner	Michael Cooper	Department Manager	Scott Thiel		

**ABSOLUTE MAXIMUM ELECTRICAL/MECHANICAL RATINGS**

Supply Voltage	+5V ±0.5V
Supply Current	+10mA
Short Circuit Duration to ground	Indefinite
Operating Temperature	-40°C to +85°C
Storage Temperature	-40°C to +85°C
Static Load Limit	667 N measured 152mm from pivot

Operation of this device beyond absolute maximum ratings may result in permanent damage.

ENVIRONMENTAL VALIDATION

Thermal Cycle/Stress	SAE J1455 -40°C to +85°C
Thermal Shock	-40°C to +85°C
Humidity	120 Hour exposure at 95% humidity from +27°C to +75°C
Mechanical Vibration	Random broadband 5-500Hz, 4.0 G's
Salt Spray Exposure	ASTM B-117 96hr Exposure
Dust Exposure	24 Hr Exposure, pedals cycled
Chemical Exposure	Diesel fuel, brake fluid, antifreeze and plastic protectant exposure
Pressure Wash	250 psig detergent at +75°C – 40 minute exposure, 0.05rpm 1000 psig water at +75°C - 40 minute exposure, 0.05 rpm
Mechanical Shock	SAE J1455 One meter drop to concrete with additional harness drop test

REGULATORY VALIDATION

FMVSS-124 RTI Certification	Per Federal regulations
FMVSS-302 Flammability	Per Federal regulations

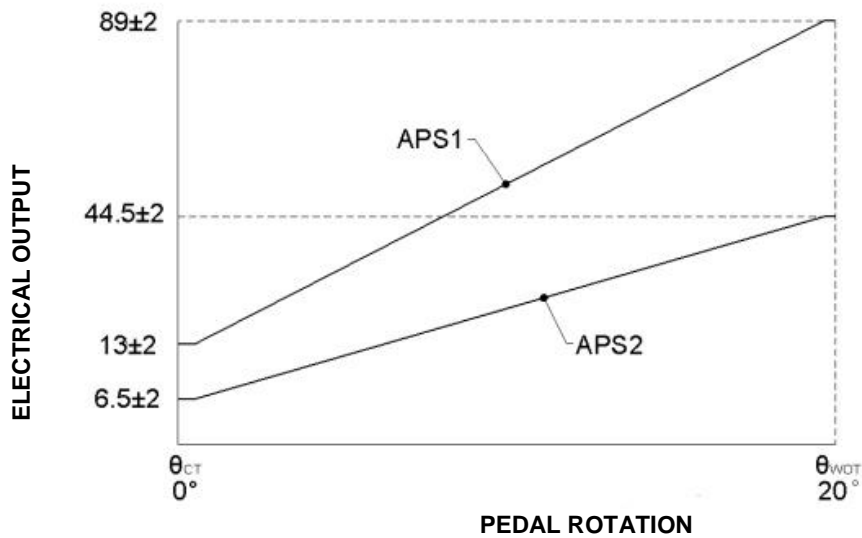
MECHANICAL VALIDATION

Validated to 3X106 full stroke cycles at 1Hz

CURTISS - WRIGHT		PROCEDURE NAME:	DEPT:	030			
		Williams Customer Specification Form					
DOCUMENT NUMBER:	WQF-030-021	Revision Level	A	Date Effective	11/13/07	DAF#	00396
QEMS Representative	Mary Knight	Process Owner	Michael Cooper	Department Manager	Scott Thiel		

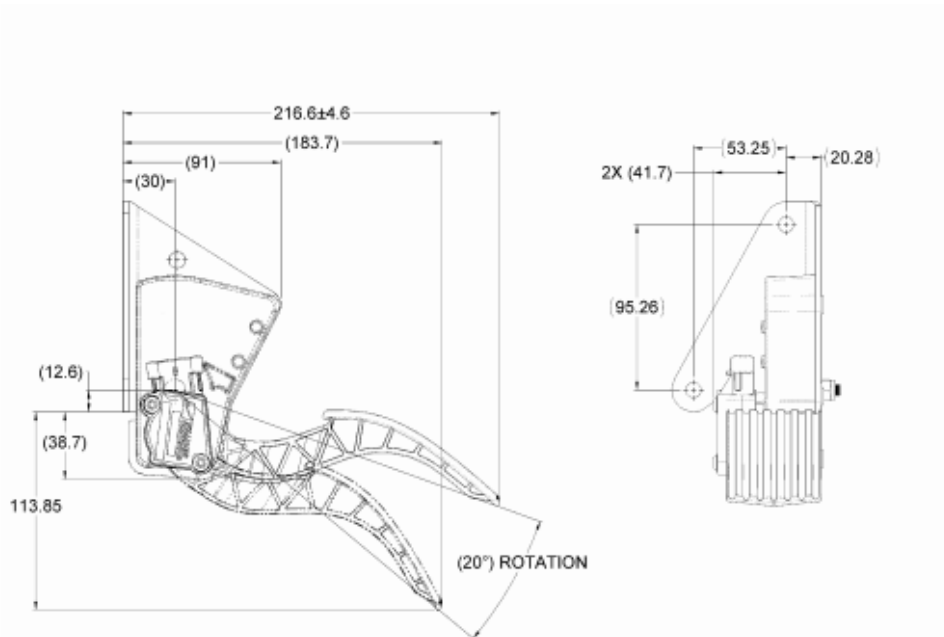


TYPICAL OUTPUT CHARACTERISTICS



MECHANICAL DIMENSIONS AND CHARACTERISTICS (FOR REFENCE ONLY)

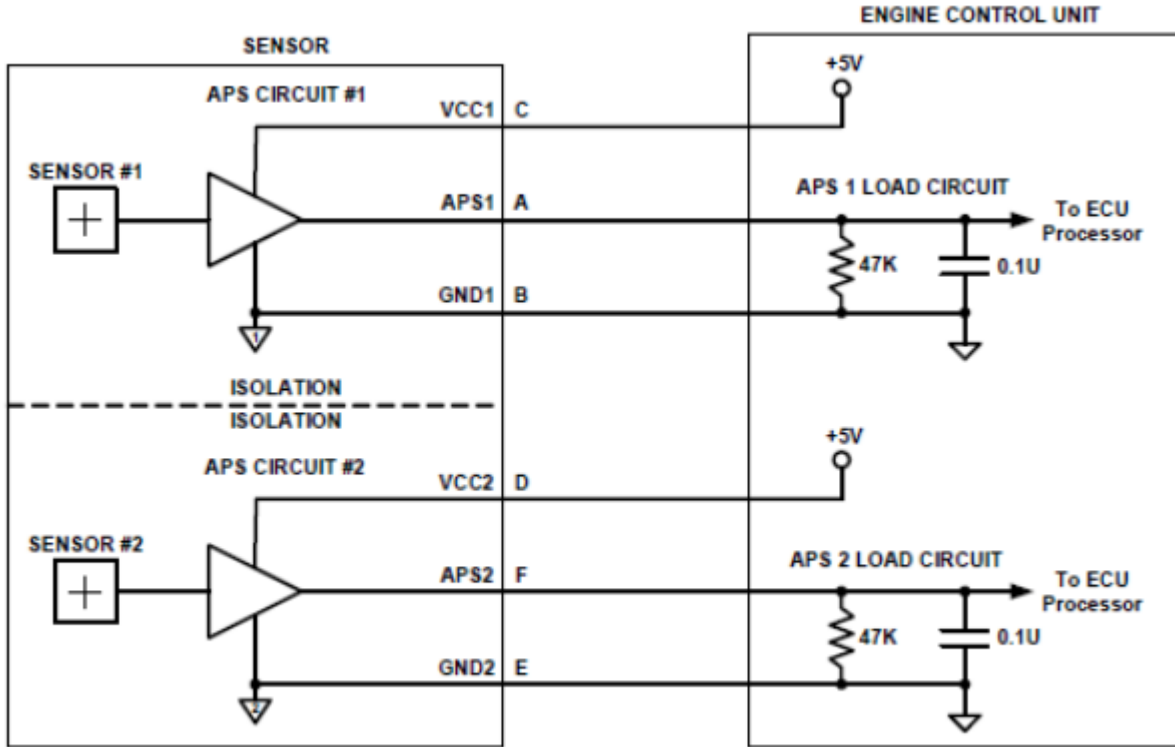
Measurements in mm



CURTISS - WRIGHT	PROCEDURE NAME:	DEPT:	030				
	Williams Customer Specification Form						
DOCUMENT NUMBER:	WQF-030-021	Revision Level	A	Date Effective	11/13/07	DAF#	00396
QEMS Representative	Mary Knight	Process Owner	Michael Cooper	Department Manager	Scott Thiel		



APPLICATIONS INFORMATION:



REVISION HISTORY

Rev	Date	ECN#	Checked	Approved	Changes/Comments
A	06/02/10	002326			Initial Release

USA
 Portland
 Oregon
 T: +1.503.684.8600
 cwig.us@curtisswright.com
 www.cw-industrialgroup.com

Europe
 Garching
 Germany
 T: +44.89.5404.100.0
 cwig.de@curtisswright.com
 www.cw-industrialgroup.com

Asia
 Shanghai
 China
 T: +86.213.3310670
 cwig.cn@curtisswright.com
 www.cw-industrialgroup.com

CURTISS-WRIGHT	PROCEDURE NAME:	DEPT:	030				
	Williams Customer Specification Form						
DOCUMENT NUMBER:	WQF-030-021	Revision Level	A	Date Effective	11/13/07	DAF#	00396
QEMS Representative	Mary Knight	Process Owner	Michael Cooper	Department Manager	Scott Thiel		