

The Electronic Floor Pedal WM-558 is designed for all commercial vehicle applications.

The unit is equipped with a Hall Effect non-contact sensor that can be programmed for analog output and/or integrated switches. The electronics are IP68 and 69k sealed and highly EMI resistant (SAE J1113). In addition, the unit can be customized with contact or PWM output sensors.

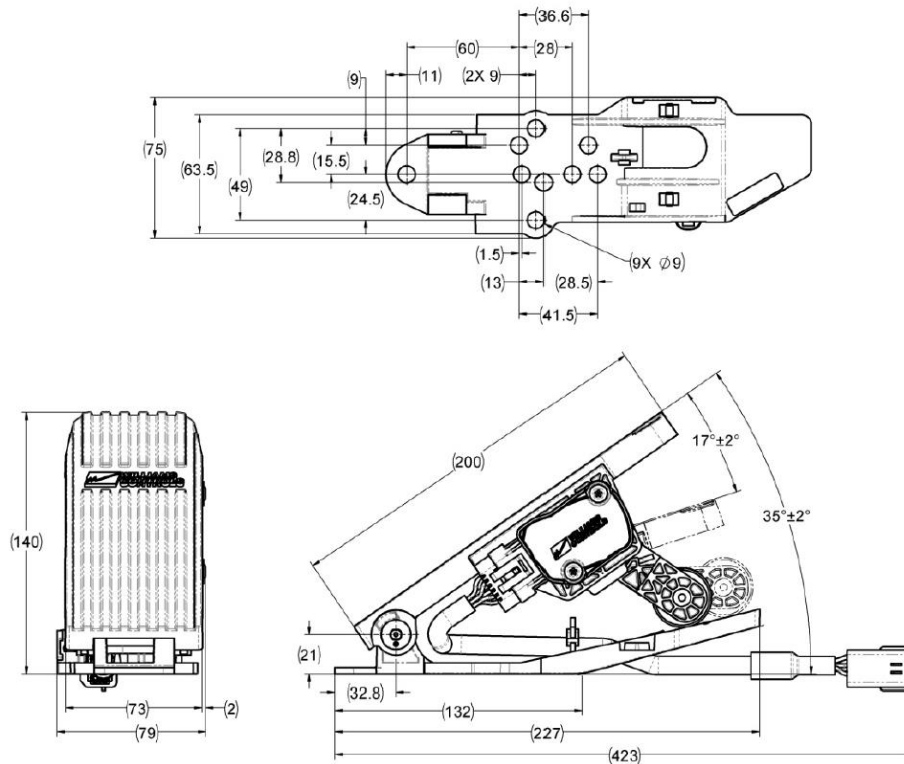
The Electronic Floor Pedal WM-558 is available with a standard treadle angle of 35 or 45 degrees. The Throttle Control is made out of high strength engineered plastics. The base plate has five mounting holes for various mounting options.



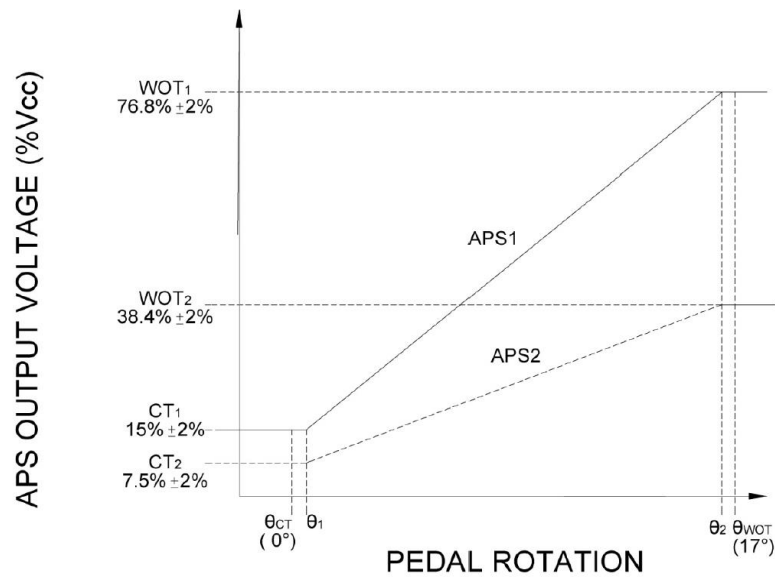
## SPECIFICATIONS

<b>PRODUCT LIFE</b>	Full Travel Cycles	3,000,000
<b>ELECTRONICS</b>	Seal Integrity EMI	Electronics IP68 and 69k sealed (IEC 60529) SAE J1113 Compliant
<b>ELECTRICAL</b>	Output Signal	Dual APS, APS/IVS, APS/IVS/IVS, Dual PWM
<b>PEDAL ANGLE</b>	Degrees	35° or 45°
<b>MECHANICAL</b>	Operating force (at 150mm from pivot point) Static Load Vibration	Idle = 17N, Full Travel = 45N 1500N@ 150mm Random broadband up to 4g (3-axis, 3 hr. each axis,)
<b>ENVIRONMENTAL</b>	Operating Temp Range Storage Temp Range Humidity Sand/Dust	-40°C to 85°C -40°C to 105°C 95% RH for 120 hours, 27°C to 75°C Tested to SAE J1455
<b>MATERIALS</b>	Base plate Foot treadle	Diecast Aluminum or Composite Plastic Composite Plastic

## MECHANICAL DIMENSIONS (mm)



## TYPICAL OUTPUT CHARACTERISTICS (Other outputs are available)



© 2020 Curtiss-Wright. All rights reserved. Specifications are subject to change without notice. All trademarks are property of their respective owners.

WM558-11/20

**CURTISS-  
WRIGHT**

**USA** LA  
California  
T: +1.714.982.1860

curtis.us@curtisswright.com  
www.cw-industrialgroup.com

**Europe** Christchurch  
United Kingdom  
T: +44.1202.034000

curtis.uk@curtisswright.com  
www.cw-industrialgroup.com

**Asia** Taipei  
Taiwan  
T: +886.2.2778.1900

curtis.tw@curtisswright.com  
www.cw-industrialgroup.com